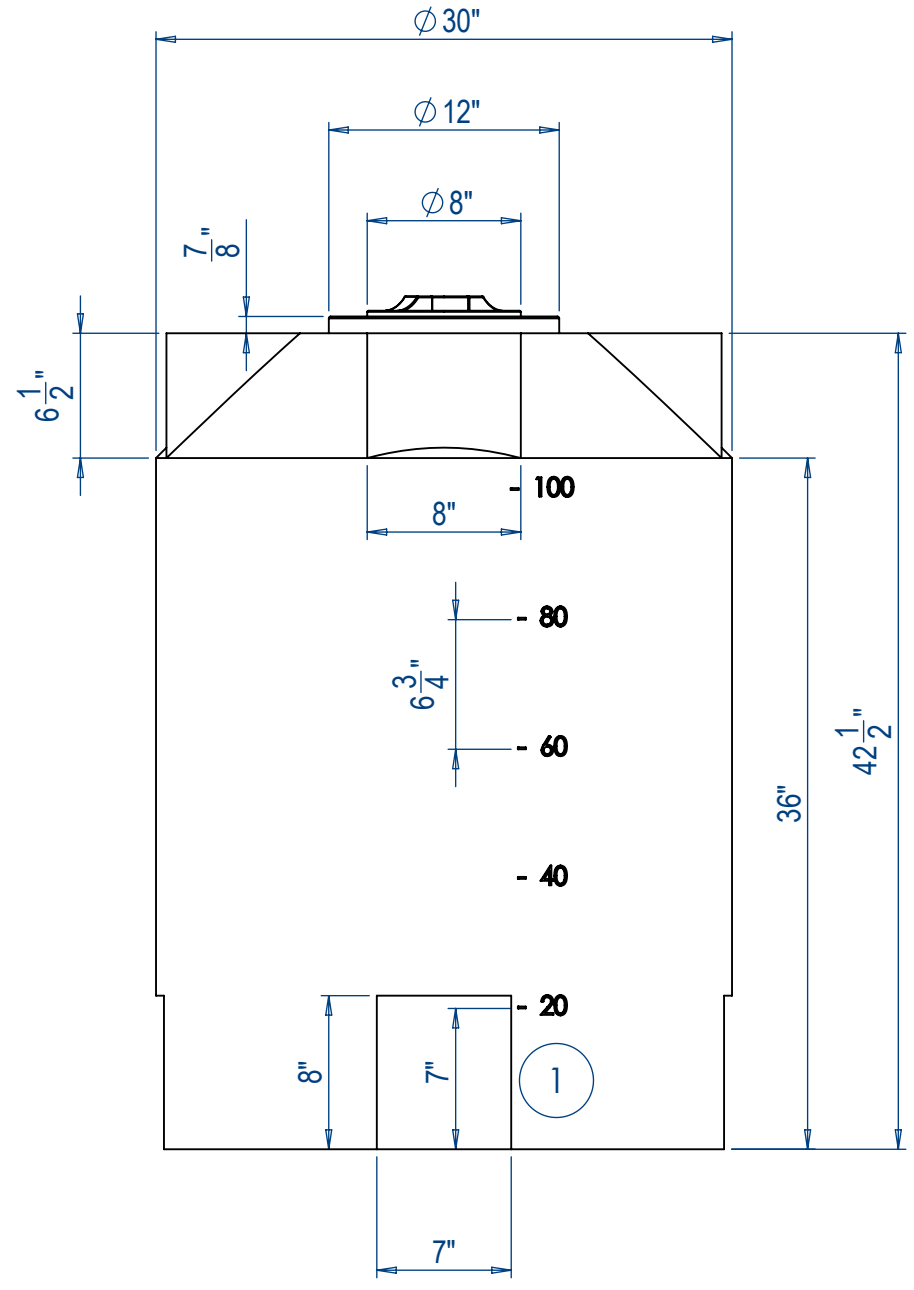
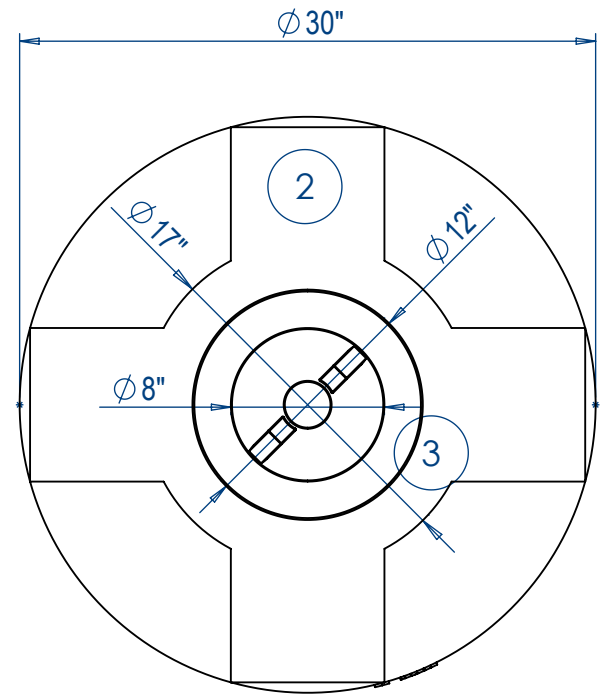
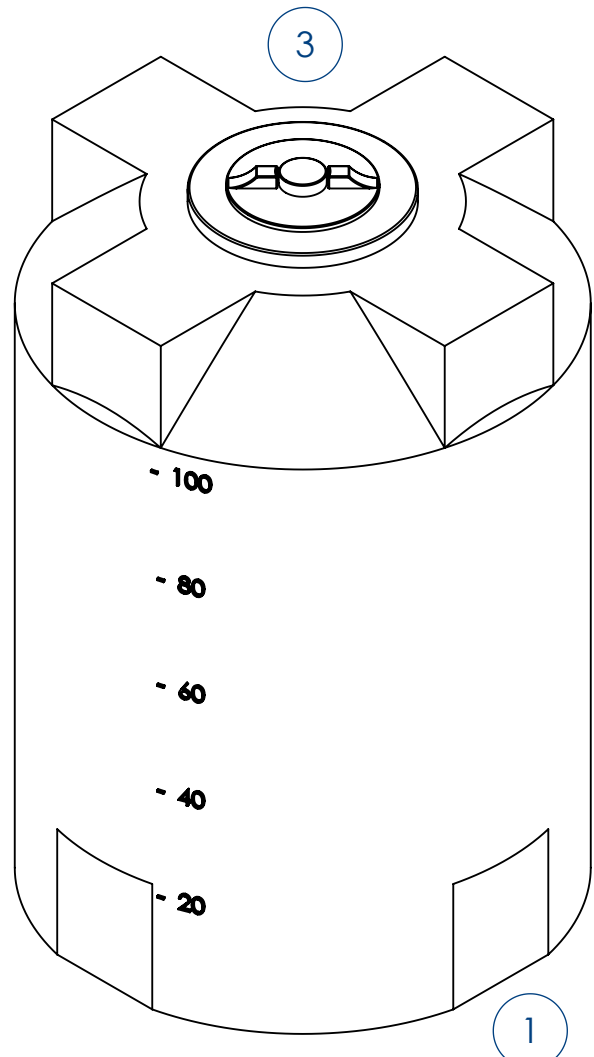


D
C
B
A

D
C
B
A



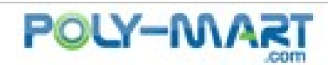
NOTES:

1. Bottom Layout Flat (4) - 8" x 7"
2. Top Layout Flat (4) - 6-1/2" x 8"
3. Round Dome Flat - 12"

PROPRIETARY AND CONFIDENTIAL
 THE INFORMATION CONTAINED IN THIS DRAWING IS THE SOLE PROPERTY OF POLY-MART, INC. 16310 BRATTON LANE #210, AUSTIN TX 78728. ANY REPRODUCTION IN PART OR AS A WHOLE WITHOUT THE WRITTEN PERMISSION OF POLY-MART, INC. 16310 BRATTON LANE #210, AUSTIN TX 78728 IS PROHIBITED.

UNLESS OTHERWISE SPECIFIED:
 DIMENSIONS ARE IN INCHES
 TOLERANCES:
 FRACTIONAL ±
 ANGULAR: MACH ± BEND ±
 TWO PLACE DECIMAL ±
 THREE PLACE DECIMAL ±
 INTERPRET GEOMETRIC TOLERANCING PER:
 MATERIAL HDPE
 FINISH
 DO NOT SCALE DRAWING

NAME	DATE
GM	1/16/2017
DRAWN	
CHECKED	
ENG APPR.	
MFG APPR.	
Q.A.	
CAD DESIGN BY -	
CADWorksPro Chicago, IL	
gilm@cadworkspro.com	



TITLE: 100 Gallon Vertical Storage Tank		
SIZE B	DWG. NO. 100 VST	REV
SCALE: 1:10		SHEET 1 OF 1