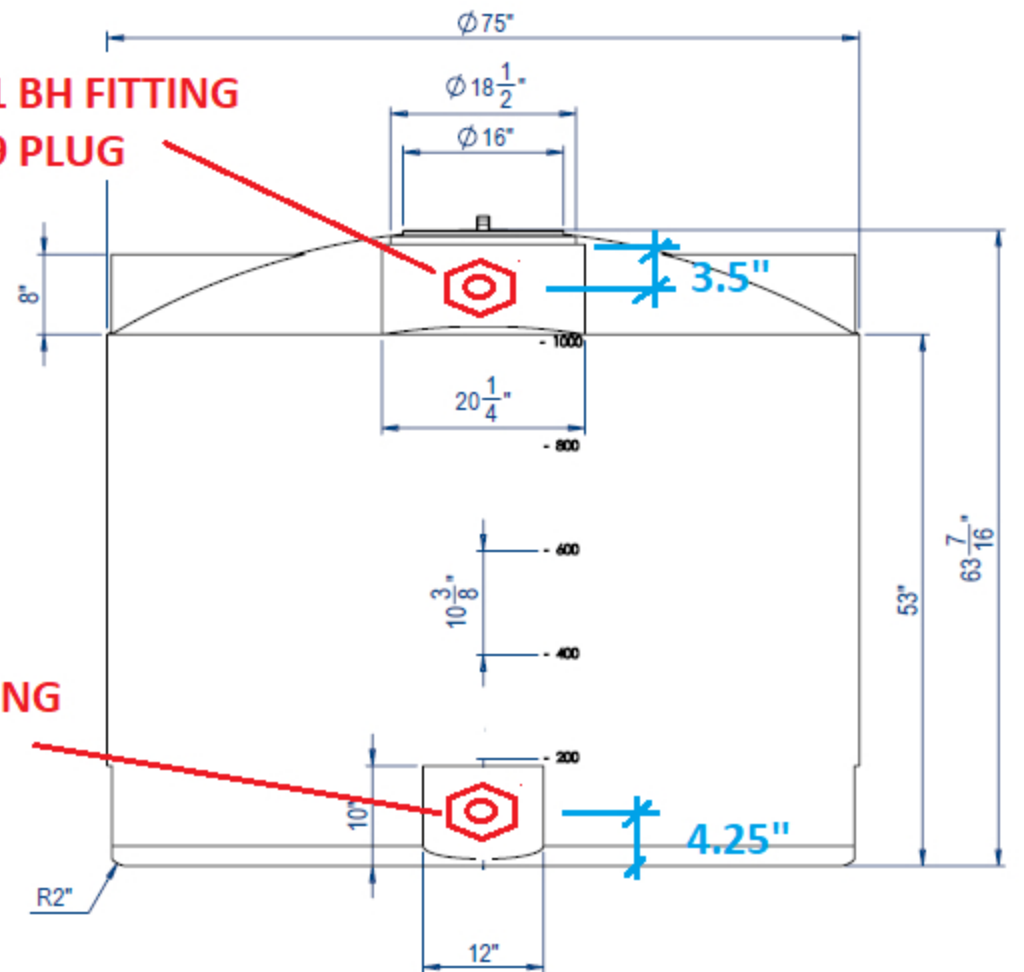


63931 BH FITTING
64149 PLUG



63481 BH FITTING
60021 PLUG



NOTES:

1. Bottom Layout Flat (4) - 10" x 12"
2. Top Layout Flat (4) - 8" x 11"
3. Dome Flat - 9" x 20-1/4"
4. Manway - 16"
5. Flush Gallon Markers

PROPRIETARY AND CONFIDENTIAL
THE INFORMATION CONTAINED IN THIS DRAWING IS THE SOLE PROPERTY OF POLY-MART, INC. 15310 BRATTON LANE #210, AUSTIN TX 78728. ANY REPRODUCTION IN PART OR AS A WHOLE WITHOUT THE WRITTEN PERMISSION OF POLY-MART, INC. 15310 BRATTON LANE #210, AUSTIN TX 78728 IS PROHIBITED.

UNLESS OTHERWISE SPECIFIED:		NAME	DATE
DIMENSIONS ARE IN INCHES		DRAWN	GM 1/16/2017
TOLERANCES:		CHECKED	
FRACTIONAL: ±		ENG APPR.	
ANGULAR: MATCH ± BEND ±		MFG APPR.	
TWO PLACE DECIMAL ±		Q.A.	
THREE PLACE DECIMAL ±		CAD DESIGN BY -	
INTERPRET GEOMETRIC TOLERANCING PER:		CADWorksPro	
MATERIAL		Chicago, IL	
FINISH		gilm@cadworkspro.com	
DO NOT SCALE DRAWING			

NORWESCO
NORWESCO, INC. SAINT BONIFACIUS, MN
1000 Gallon
Poly-Mart Water Only

SIZE	DWG. NO.	REV
B	1000 Water Only	

SCALE: 1:16 SHEET 1 OF 1